

**A RESOLUTION
ACCEPTING A PROPOSAL FROM
AA AMERICAN LOCKSMITH
FOR THE PURCHASE OF A
FOUR CAMERA SURVEILLIANCE SYSTEM**

NOW THEREFORE, BE IT RESOLVED BY THE PRESIDENT AND BOARD OF TRUSTEES OF THE VILLAGE OF CAMPTON HILLS, KANE COUNTY, ILLINOIS AS FOLLOWS:

Section 1. The Proposal from AA American Locksmith for the Purchase of a Four Camera Surveillance System, in words and figures as attached hereto as EXHIBIT A, shall be and hereby is accepted in substantially the form attached, subject to changes which may be made by the Village President and approved by the Village Attorney.

Section 2. The Police Chief shall be and is hereby authorized to execute any and all documents related to EXHIBIT A on behalf of the Village.

Section 3. This resolution shall take full force and effect upon its passage and approval as provided by law.

Passed this 5th day of July, 2017 pursuant to a roll call vote as follows:

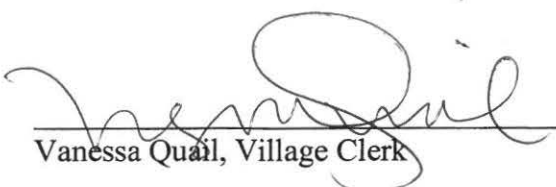
	AYES	NAYES	ABSENT	ABSTAIN
Trustee Laura B. Andersen	_____	_____	<u> y </u>	_____
Trustee Susan P. George	<u> x </u>	_____	_____	_____
Trustee Nick Girka	_____	_____	<u> x </u>	_____
Trustee Mike Millette	_____	_____	<u> x </u>	_____
Trustee Mike O'Dwyer	<u> x </u>	_____	_____	_____
Trustee Michael Tyrrell	<u> x </u>	_____	_____	_____
President Harry Blecker	<u> x </u>	_____	_____	_____

APPROVED this 5th day of July, 2017



Harry Blecker, Village President

(SEAL)

ATTEST: 

Vanessa Quail, Village Clerk

AA American Locksmith Inc

KEYS – LOCKS – SAFES – DOOR HARDWARE – ACCESS CONTROL – CCTV

PROPOSAL:
Campton Hills PD.

Attn: Chief Dan Hoffman
Re: Surveillance camera

5/6/17

We hereby propose to furnish the products, material & labor necessary to complete the installation of:
A 4 camera (HD-TVI / 2MP) surveillance system consisting of: 3 inside dome cameras & 1 outside bullet camera.
This system is manufactured by Eastern CCTV products & carries a 3/ year manufacturer's warranty.

Products:

- 1- Eastern® ED 800-4 TSC – DVR, Records 1080P (2MP) resolution @ 15fps, 4TB-HDD Installed, 4 CH Audio, CMS software, Phone app for both iPhone® & Android®
- 3- Eastern® HDA- IRD2M03-HVF, Vandal proof dome camera, 2MP resolution, Infrared, 2.8-12mm Vary focal lens, IP66 rated.
- 1- Eastern® HAD-IRB2M06-HVF, Bullet camera, Infrared, 2MP resolution, 2.8-12mm Vary focal lens, IP66 Weather rated, 12VDC
- 2- Eastern® CC7100, Board Microphones
- 4- Eastern® B1-W, Base box for cameras
- 1-QTY: RG6SIA Video & Power cable, 1- 9CH 12VDC / 10A Power supply, BNC connectors, 18/2 wire, Etc.

Labor:

- 1- Service call to location + 4+ Hours installation time. Includes system setup, configuration & training.

Total system price: \$ 2,540.00

Respectfully submitted
Steve Stegle
CEO / Operations Mgr

- 3- Year warranty products, labor. (Excludes vandalism)
- 50% deposit required \$ 1,270.00
- Balance due: Net 15 days from completion
- Work to be completed within 7- Days of deposit receipt (Pending product availability)

AA American Locksmith Inc
432 Wyman, St. Suite: A
Sycamore, IL 60178
Shop: 847-697-0333

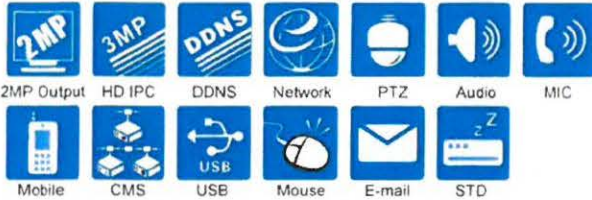
IL Licenses
191-000523

Email: locksmith7461@aol.com

www.aaamericanlocksmith.net

ED8004TSC / ED8008TSC

1080P 5-IN-1 DVRs Titanium GUI



Introduction:

ED8000TSC are 4 / 8 CH high definition DVRs, which adopt the standard H.264 high profile compression format and the most advanced SOC technique to ensure real time recording in each channel and realize outstanding robustness of the system. It can support HD-TVI, AHD, CVI, 960H and HD-IP.

ED8000TSC supports 4 / 8 CH video input, 4 CH audio input, simultaneous 4 / 8 CH playback. The series of product can meet different security requirements of home, financial, commerce, enterprise, transportation and government, etc.

Main Feature:

- 4 / 8 CH TVI / AHD 2.0 video input
- 4 / 8 CH 1080P / 1080P lite / 720P recording
- 4 CH DVR supports 1 CH IPC 1080P / 960P / 720P recording; 8 CH DVR
- supports 1 CH IPC 3MP / 1080P / 960P / 720P recording
- Adopt standard H.264 high profile compression format to get high-quality video at much lower bit rate
- Intuitive and user-friendly Graphics User Interface (GUI), window style operation by mouse
- Multi-mode recording: manual / timer / motion / sensor
- Playback : 4 / 8 CH simultaneously playback
- Search: time / calendar, events (alarm, motion)
- Express and flexible backup via USB and network and so on
- Pentaplex: preview, record, playback, backup and remote access
- DHCP, DDNS, PPPoE network protocol, IE browse and CMS supported
- Remote control via IE or CMS : preview, playback, backup, PTZ and configuration
- Dual stream technology to encode recording stream and network stream respectively; network stream can be adjustable to fit bandwidth without changing recording quality
- Multi-user online simultaneously
- Authorization management, log review and device status review
- HDMI 1080P output, true high resolution display
- Support PTZ preset and auto cruise, up to 128 presets and 8 cruises
- Powerful smart phone surveillance supporting iPhone, Android
- Support NAT function, support QR code scanning by mobile phone
- Complete SDK software available, easy to integrate with other applications

Physical Interfaces:



Model	ED8004TSC	ED8008TSC
System	Compression	H.264 High profile
Video	Input	BNC x 4 (TVI/AHD/CVI/960H) BNC x 8 (TVI/AHD/CVI/960H)
	IP input	IPC x 1
	Bandwidth	6Mbps
	Output	HDMI / VGA / CVBS(SPOT)
Audio	Input	RCA*4
	Output	RCA*1
	2-way audio	Take up channel one audio input
Record	Resolution	1080P, 1080P Lite, 720P
	Frame rate	720P/960H: 30fps/CH 720P/960H: 30fps/CH 1080P: 12fps/CH 1080P: 12fps/CH
	Encode	VBR/CBR
	Quality	6 level
	Mode	Manual, Timer, Motion
	File management	Lock, unlock
IP input	Resolution	2MP / 960P / 720P 3MP / 2MP / 960P / 720P
	Frame rate	2Mp: 15fps/CH 3Mp: 15fps/CH
Play	Local Playback	4CH 8CH
	Search	Time/calendar search,event(motion)
	Smart search	Highlighted date and time to display the channel record
	Function	Play, Pause, FF, FB; Digital zoom
Alarm	Mode	Sensor, Motion, Video Loss
	Input	4CH
	Output	1CH
	Triggering	Record, PTZ move,alarm out,e-mail, etc
Network	Interface	RJ45 10M/100M adaptive ethernet network port x 1
	Protocol	TCP/IP, UDP, DHCP, DNS, PPPoE, DDNS
	Others	10users online, dual stream
Cell phone	OS	iPhone, Android
	Function	Multi-screen surveillance (for certain model),record,snapshot,PTZ control,save the device list
Port	HDD	SATA* 1
	RS485	RS485 * 1, connect to PTZ or keyboard
	USB	USB2.0 * 2,one for mouse, another for USB backup device
	Remote	Optional
Others	Power supply	DC12V
	Consumption	< 5W(without HDD) < 8W(without HDD)
	Dimensions (W*D*H)	11.8" x 10.6" x 2.2" (300 x 270 x 58mm)
	Environment	-10~50°C, 10%~90% (Humidity)

Design and specifications are subject to change without notice.

www.EasternCCTV.com

Headquarters

50 Commercial St.,
Plainview, NY 11803

TEL: 516-870-3779 FAX: 516-390-1200

Queens, NY

129-04 14th Ave.,
College Point, NY 11356

TEL: 718-939-2710 FAX: 718-939-2713

E. Los Angeles, CA

110 California Ave.,
City of Industry, CA 91744

TEL: 626-961-8810 FAX: 626-961-8809

N. Hollywood, CA

13761 Saticoy St.
Panorama City, CA 91402

TEL: 818-924-9021 FAX: 818-849-5127

Miami, FL

4515 NW 72nd Ave.
Miami, FL 33166

TEL: 305-423-1329 FAX: 786-717-7282

Houston, TX

3790 Westchase Dr.,
Houston, TX 77042

TEL: 832-308-5282 FAX: 832-925-7454

HDA-IRB2M06HVF-G/W

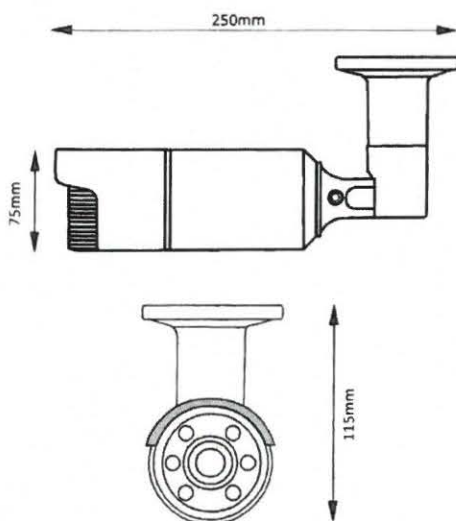
2Mp 3-In-1 AHD/TVI/960H Camera



Key Features

- 1/2.7" Aptina CMOS
- Compatibility: AHD / TVI / Analog
- 2D DNR, AGC, BLC
- IR Distance: 50 ~ 60m
- 30fps@1080P
- 6 Super IR
- 2.8~12mm Vari-Focal Lens
- DC 12V

Dimensions



Design and specifications are subject to change without notice.

Model	HDA-IRB2M06HVF-G/W
Camera	
Image Sensor	1/2.7" Aptina 2.4 Megapixel Sensor
Effective Pixels	1920(H) × 1080(V)
Electronic Shutter	PAL:1/50s~1/100,000s NTSC:1/60s~1/100,000s
Min. Illumination	0.01Lux @ F1.2, (0Lux IR on)
Lens	2.8-12mm
View Angle	100°-30.8°(H),64.5°-23.3°(V)
S/N Ratio	≥45dB(Max 70 dB)
Video Output	1.0Vp-p
White Balance	Auto adaptive(Range 2200~10000K)
WDR	N/A
AGC	Automatic / manual
BLC	Automatic / manual
DNR	2D
Image	
Compatibility	AHD / TVI / Analog
Encode Mode	CBR
Image Quality	Not adjustable under CBR
Resolution	1080P (1920×1080)
Video Frame Rate	PAL:25fps@1080P NTSC:30fps@1080P
Image Setting	Brightness, Contrast, Sharpness, DNR, Color gain, exposure, mode etc.
Functions	
Remote Monitoring	By monitoring the video recorder
Day & Night	Auto / Color / BW / EXT
IR Distance	50-60m
IR LED - count	Ø16 X 6 IR
OSD Menu	Yes
Protection	IP66
Others	
Power supply	DC12V±10%
power consumption	700mA
Working Environment	- 30°C ~ +60°C
Dimension	(250 x 75 x 115mm)
weight	0.65KG

www.EasternCCTV.com

Headquarters

50 Commercial St.,
Plainview, NY 11803

TEL: 516-870-3779 FAX: 516-390-1200

Queens, NY

129-04 14th Ave.,
College Point, NY 11356

TEL: 718-939-2710 FAX: 718-939-2713

E. Los Angeles, CA

110 California Ave.,
City of Industry, CA, 91744

TEL: 626-961-8610 FAX: 626-961-8809

N. Hollywood, CA

13761 Saticoy St.
Panorama City, CA 91402

TEL: 818-924-9021 FAX: 818-849-5127

Miami, FL

4515 NW 72nd Ave.
Miami, FL 33166

TEL: 305-423-1329 FAX: 786-761-7282

Houston, TX

3790 Westchase Dr.,
Houston, TX 77042

TEL: 832-308-5282 FAX: 832-925-7454

HDA-IRD2M03HVFW-G/W

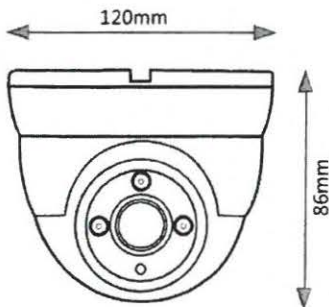
2Mp HD-HDA 4-In-1 Eyeball Camera



Key Features

- 1/2.7" Aptina Sensor
- BLC, AGC, 2D DNR
- IR Distance: 25 ~ 30m
- 3 Super IR
- 2.8~12mm Vari-Focal Lens
- 12V DC

Dimensions



Specifications

Model	HDA-IRD2M03HV-F-G/W
Camera	
Image Sensor	1/2.7" 2.4MP Aptina Sensor
Effective Pixels	1920(H)×1080(V)
Electronic Shutter	PAL:1/50s~1/100,000s NTSC:1/60s~1/100,000s
Min. Illumination	0.01Lux @ F1.2, (0Lux IR on)
Lens	2.8-12mm
View Angle	100°-30.8°(H),64.5°-23.3°(V)
S/N Ratio	≥45dB(Max 70 dB)
Video Output	1.0Vp-p
White Balance	Auto adaptive(Range 2200~10000K)
WDR	N/A
AGC	Automatic / manual
BLC	Automatic / manual
DNR	2D
Image	
Compatibility	AHD / CVI / TVI / Analog
Encode Mode	CBR
Image Quality	Not adjustable under CBR
Resolution	1080P (1920×1080)
Video Frame Rate	PAL:25fps@1080P NTSC:30fps@1080P
Image Setting	Brightness, Contrast, Sharpness, DNR, Color gain, exposure, mode etc.
Functions	
Remote Monitoring	By monitoring the video recorder
Day & Night	Auto / Color / BW / EXT
IR Distance	25-30m
IR LED - count	3 Super IR
OSD Menu	Yes
Protection	IP66
Others	
Power supply	DC12V±10%
Power Consumption	660mA
Working Environment	-30℃ ~ +60℃
Dimension	4.7" x 4.7" x 3.4" (120 x 120 x 86mm)
Weight	1.63LBS (0.74KG)

Design and specifications are subject to change without notice.

www.EasternCCTV.com

Headquarters

50 Commercial St.,
Plainview, NY 11803

TEL: 516-870-3779 FAX: 516-390-1200

Queens, NY

129-04 14th Ave.,
College Point, NY 11356

TEL: 718-939-2710 FAX: 718-939-2713

E. Los Angeles, CA

110 California Ave.,
City of Industry, CA, 91744

TEL: 626-961-8810 FAX: 626-961-8809

N. Hollywood, CA

13761 Saticoy St.
Panorama City, CA 91402

TEL: 818-924-9021 FAX: 818-849-5127

Miami, FL

4515 NW 72nd Ave.
Miami, FL 33166

TEL: 305-423-1329 FAX: 786-717-7282

Houston, TX

3790 Westchase Dr.,
Houston, TX 77042

TEL: 832-308-5282 FAX: 832-925-7454